

# E500RM8-ME

## 5" Healthcare Rugged Handheld Computer



### KEY FEATURES

- A53- Octa Core 1.3 GHz
- 5" 1280 x 720 Panel with direct optical bonding
- 1D/2D Barcode Reader and NFC reader for data collection
- IP65 waterproof and dustproof
- Optional antimicrobial surface coating

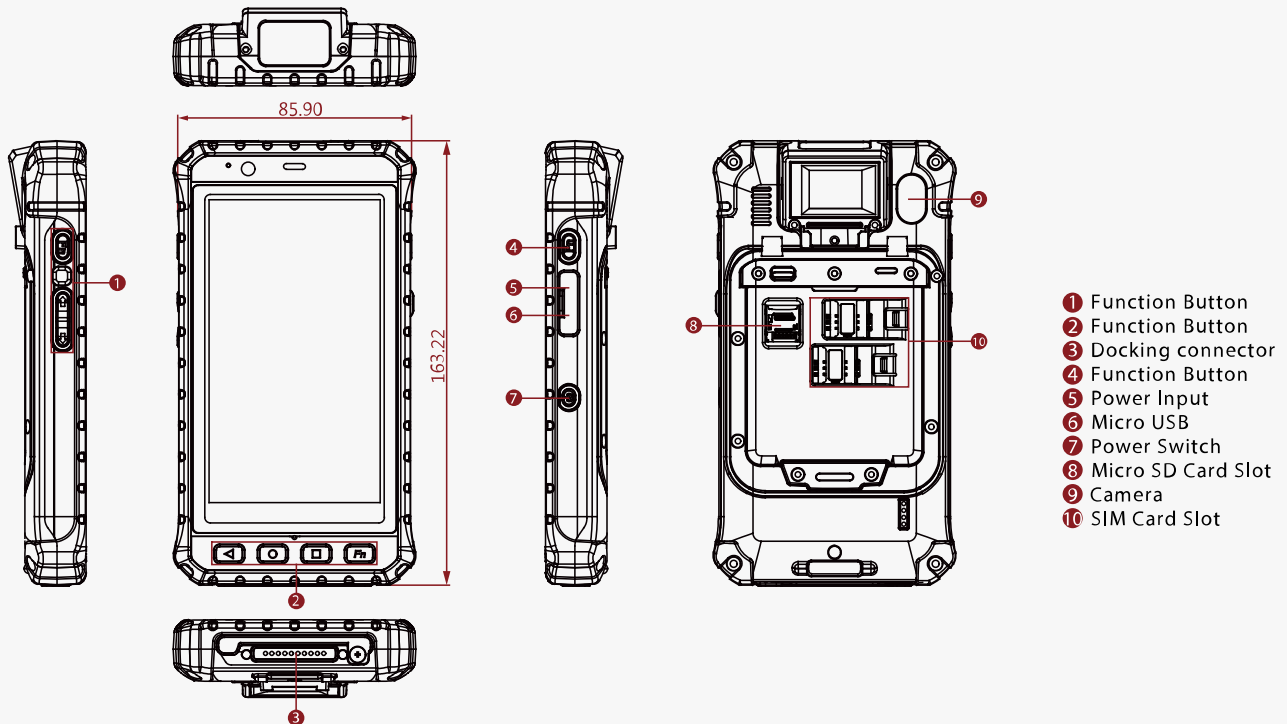


### SPECIFICATIONS

Display			
<b>Resolution</b>	1280x720	<b>Size</b>	5.0 inches
<b>Contrast Ratio</b>	800:1	<b>Panel Brightness</b>	500 nits
<b>View Angles</b>	80,80,80,80	<b>Type</b>	Projected Capacitive Multi Touch
<b>Touch Mode</b>	Support Hand / Gloves and Rain Mode	<b>Bonding</b>	Optical Bonding for Sunlight Viewability
System Specification			
<b>Processor</b>	ARM A53 (Octa-Core 1.3 GHz)	<b>Memory</b>	2GB
<b>Storage</b>	16GB	<b>Operating System</b>	Android 7.0
<b>WLAN</b>	802.11 a/b/g/n mode	<b>BT</b>	BT Support
<b>WWAN</b>	4G/LTE	<b>GNSS</b>	GPS/AGPS
<b>RFID</b>	Default NFC (Read / Write, Peer to Peer mode)	<b>Sensors</b>	Ambient Light Sensor, E-Compass, Gyro, Acceleration Sensors, Automatic Screen Rotation
<b>Smart Card Reader</b>	ISO7816 Part 1.2.3 Smart Card Reader (Optional)	<b>Fingerprint Scanner</b>	Fingerprint Reader (Optional)
Camera			
<b>Front Camera</b>	2MP Camera	<b>Rear Camera</b>	8MP Camera with LED Auxiliary Light (Auto Focus)
Mechanical			
<b>Dimension</b>	85.9 x 163.2 x 22.5 mm	<b>Weight</b>	315g
IO Ports			
<b>USB Port</b>	1 x Micro USB OTG	<b>SD Card Slot</b>	1 x Micro SD Card Slot
<b>SIM Card Slot</b>	2 x SIM Card Slot	<b>Audio</b>	1 x Audio Combo connector (Mic in or Line Out) 2 x Built-in Mic 1 x Speaker 1 x Receiver
<b>Indicator</b>	1 x LED Indicators (Power, Battery)	<b>Docking Connector</b>	1 x Docking Connector
Environment			
<b>Operating Humidity</b>	5% to 95% RH, Non-Condensing	<b>Operating Temperature</b>	-10°C to 50°C (Battery mode)
<b>Storage Temperature</b>	-30°C to 70°C	<b>Shock</b>	MIL-STD-810G Method 516.6 Procedure I
<b>Vibration</b>	MIL-STD-810G Method 514.6 Procedure I	<b>IP rating</b>	IP65 Certified, Waterproof and Dustproof

<b>Drop</b>	MIL-STD-810G Method 516.6, 5 ft		
<b>Certification</b>			
<b>Certification</b>	CE, FCC		
<b>Control</b>			
<b>Button</b>	1 x Volume +/-, 1 x Power Button, 3 x Function Button, 1 x Home, 1 x Menu, 1 x Esc		
<b>Power</b>			
<b>Battery</b>	3.7V 3900mAh Hotswappable Function (Optional)	<b>Battery Operating Time</b>	20Hr
<b>Power Rating</b>	5V 2A	<b>Adapter</b>	5V 2A Adapter
<b>Security Function</b>			
<b>SOTI MobiControl</b>	SOTI MobiControl Compliance		
<b>Accessory</b>			
<b>Accessory</b>	Power Plug (Based on Customer's Country) Hand Strap Battery Micro SD Card	<b>Optional Accessory</b>	Charging Dock 2 bay Charging Dock 6 bay Battery Charging Dock 2 bay Battery Charging Dock 6 bay Micro USB Cable
<b>Barcode Scanner</b>			
<b>Barcode Scanner</b>	1D/2D Barcode Reader (Optional)		

## DIMENSIONS UNIT:MM



## NOTE

1. Total usable memory will be less dependent upon actual system configuration.
2. SOTI is available upon request.
3. Length measurements do not include protrusions.
4. The drop test with a high-capacity battery must come with a hand strap.
5. Measured at dimming LCD brightness. Varies depending on the usage conditions, or when an external device is attached.
6. Accessories and integrated options may vary depending on your configuration.
7. This is a simplified drawing, and some components are not marked in detail.
8. The product shown in this datasheet is a standard model. For diagrams that contain customized or optional I/O, please contact the Winmate Sales Team for more information.